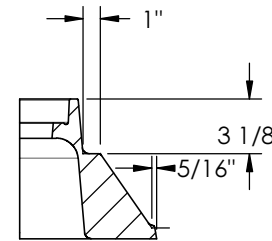
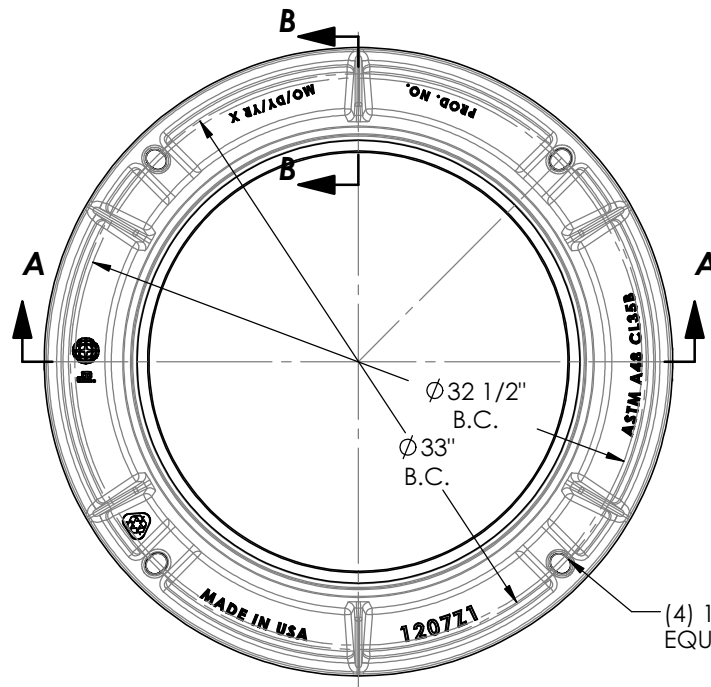
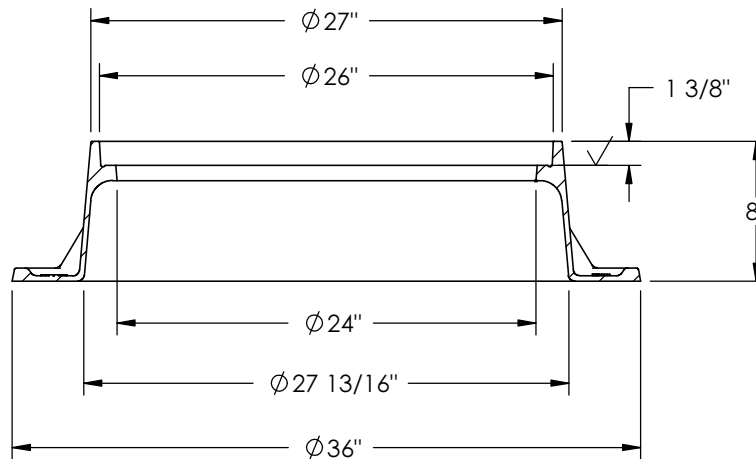


1207Z1 Frame



SECTION B-B
SCALE 1 : 11

(4) 1" WIDE HANDLING SLOTS
EQUALLY SPACED 90° APART



SECTION A-A

Product Number

00120715

Design Features

- Materials
Gray Iron (CL35B)
- Design Load
Heavy Duty
- Open Area
n/a
- Coating
Undipped
- √ Designates Machined Surface
- HS-25 Load Rating
- Estimated Weight: 145 lbs.

Certification

- ASTM A48
-
- Country of Origin: USA

Drawing Revision

5/8/2008 Designer: DEW
3/11/2015 Revised By: MAH

Disclaimer

Weights (lbs/kg), dimensions (inches/mm) and drawings provided for your guidance. We reserve the right to modify specifications without prior notice.

CONFIDENTIAL: This drawing is the property of EJ Group, Inc. and embodies confidential information, registered marks, patents, trade secret information, and/or know how that is the property of EJ Group, Inc. Copyright © 2013 EJ Group, Inc. All rights reserved.

Contact

800 626 4653
ejco.com