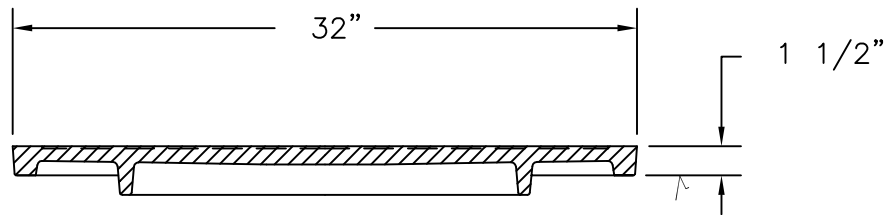
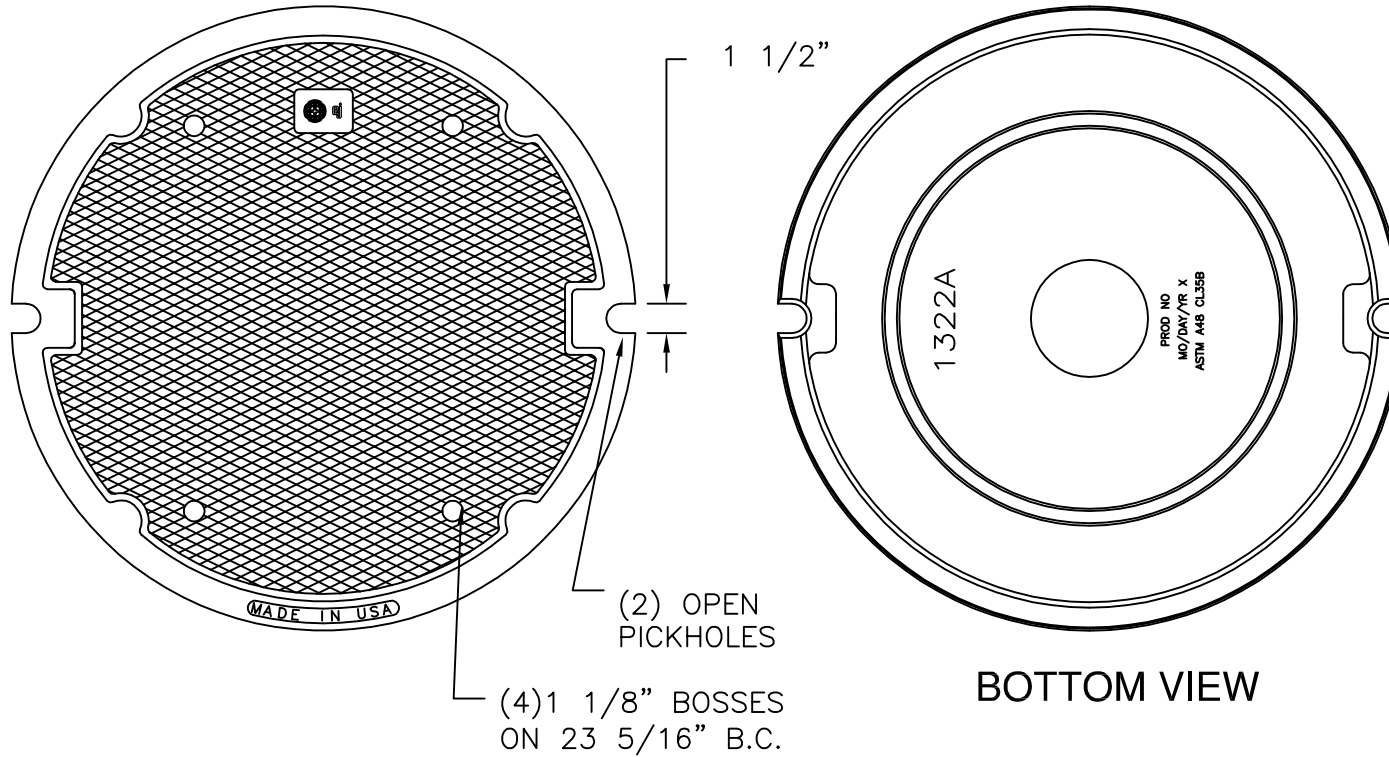
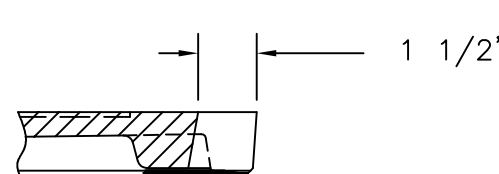


1322A Cover



SECTION



PICKHOLE

Product Number

00132221

Design Features

- Materials
Gray Iron (CL35B)
- Design Load
Heavy Duty
H-20 Loading
30kip
- Coating
Undipped
- √ Designates Machined Surface
- Open Area
n/a

Certification

- ASTM A48
-
-
- Country of Origin: USA

Drawing Revision

06/16/2004 Designer: DEW
6/21/2013 Revised By: DAE

Disclaimer

Weights (lbs./kg) dimensions (inches/mm) and drawings provided for your guidance. We reserve the right to modify specifications without prior notice.

CONFIDENTIAL: This drawing is the property of EJ GROUP, Inc., and embodies confidential information, registered marks, patents, trade secret information, and/or know how that is the property of EJ GROUP, Inc. Copyright © 2012 EJ GROUP, Inc. All rights reserved.

Contact

800 626 4653
ejco.com