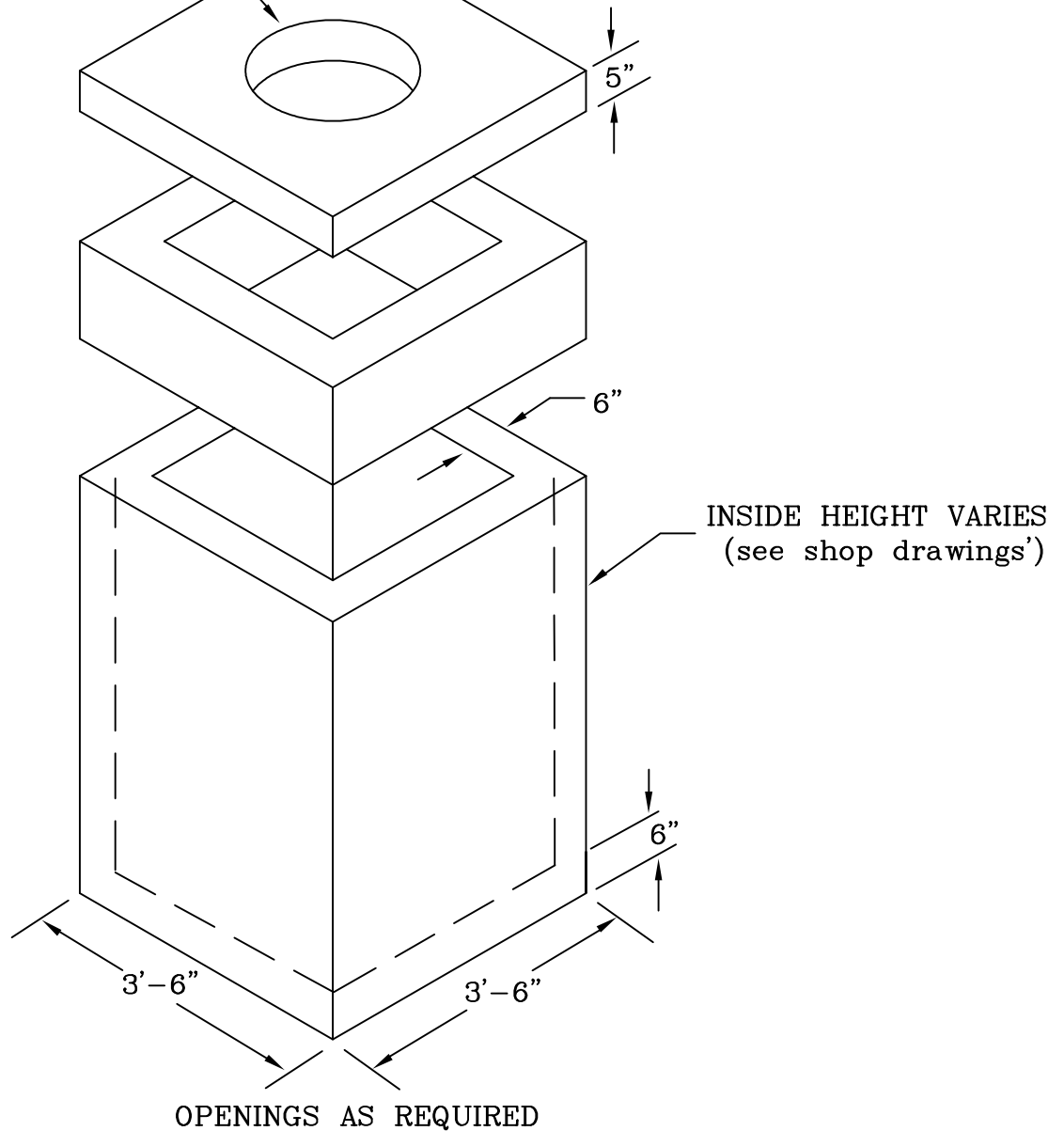


ROUND OR SQUARE
OPENING AS REQUIRED

CONCRETE TOP SHOWN
CAST IRON TOP AVAILABLE



SPECIFICATIONS:

- Concrete: 4000 psi @ 28 days
- Reinforcement: ASTM A615-Grade 60
- Entrained Air: 5-9%
- Fiber rein: Forta Ferro
- Manufactured to meet or exceed H20

**GUARDIAN CONCRETE
PRODUCTS INC.**
2140 Maxon Rd.
Schenectady, NY 12308
Fax (518) 372-6729

**30" X 30" ID
CATCH BASIN**

SCALE: NOT TO SCALE

DATE: MARCH 13, 2007

TELEPHONE NO.: (518) 372-0080

JOB: GENERAL CATALOG DRAWING