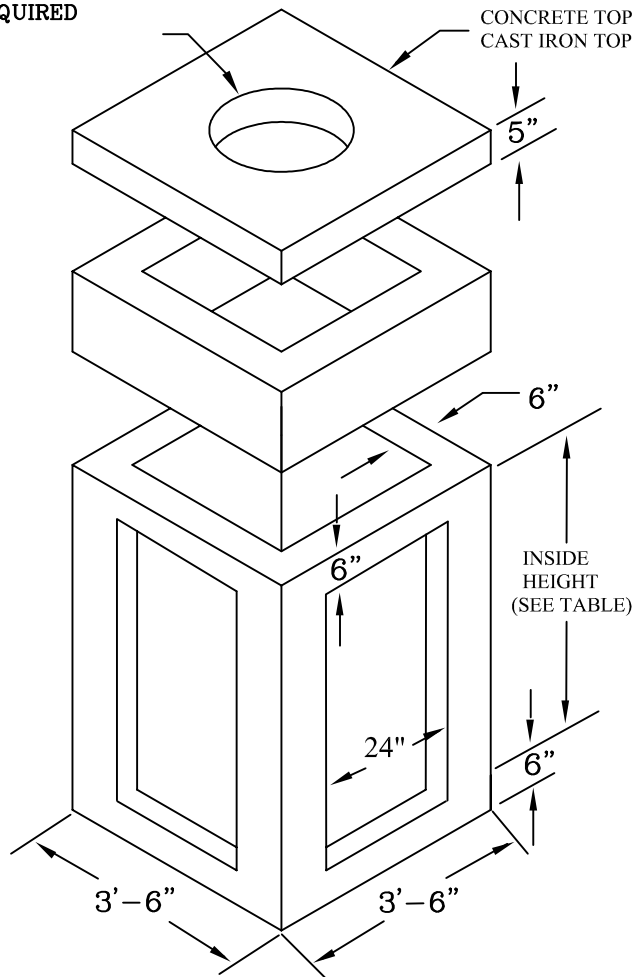


DATE: _____

CONTRACTOR: _____

PROJECT: _____

ROUND OR SQUARE OPENING
AS REQUIRED



KNOCKOUTS CENTERED ON
ALL FOUR WALLS

CONCRETE TOP SHOWN
CAST IRON TOP AVAILABLE

SPECIFICATIONS:

- Concrete: 4000 psi @ 28 days
- Reinforcement: ASTM A615-Grade 60
- Entrained Air: 5-9%
- Fiber rein: Forta Ferro macrofiber
- Manufactured to meet or exceed H20

INSIDE HEIGHT	KNOCKOUT SIZE
2'-0"	
2'-5"	25" X 25" SQ.
3'-0"	31" X 25"
4'-0"	41" X 25"
5'-0"	56" X 31.75"

MARK#:	RIM ELEV:	-INVERT ELEV:	-FRAME HEIGHT:	-ROOF THICK:	+ SUMP	-BASE HEIGHT	-RISER HEIGHT	= ADJ.	-GRADE RING	=FINAL ADJ.

**GUARDIAN CONCRETE
PRODUCTS INC.**
2140 Maxon Rd.
Schenectady, NY 12308
Fax (518) 372-6729

**30" X 30" ID
KNOCKOUT
CATCH BASIN**

SCALE: NOT TO SCALE	DATE: MARCH 13, 2007
TELEPHONE NO.: (518) 372-0080	JOB: GENERAL CATALOG DRAWING