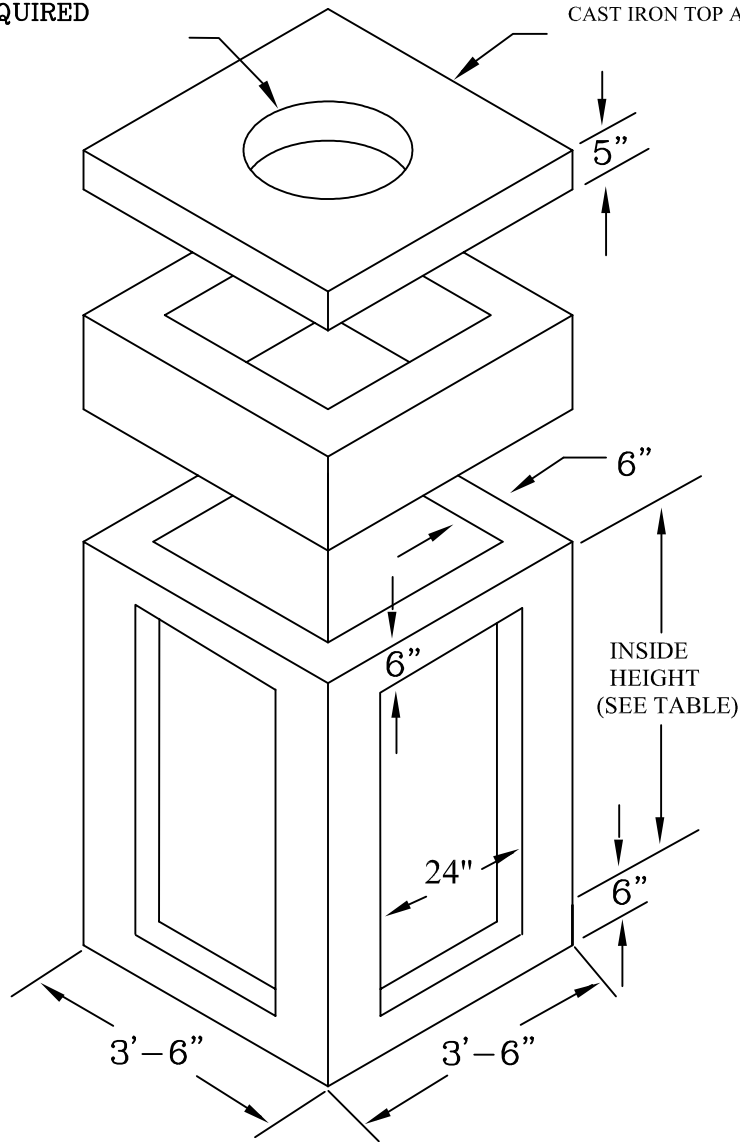


ROUND OR SQUARE OPENING
AS REQUIRED

CAST IRON TOP AVAILABLE



KNOCKOUTS CENTERED ON
ALL FOUR WALLS

SPECIFICATIONS:

- Concrete: 4000 psi @ 28 days
- Reinforcement: ASTM A615-Grade 60
- Entrained Air: 5-9%
- Fiber rein: Forta Ferro
- Manufactured to meet or exceed H20

INSIDE HEIGHT	KNOCKOUT SIZE
2-0"	
2-5"	25" X 25" SQ.
3'-0"	31" X 25"
4-0"	41" X 25"
5'-0"	56" X 31.75"

**GUARDIAN CONCRETE
PRODUCTS INC.**
2140 Maxon Rd.
Schenectady, NY 12308
Fax (518) 372-6729

**30" X 30" ID
KNOCKOUT
CATCH BASIN**

SCALE: NOT TO SCALE	DATE: MARCH 13, 2007
TELEPHONE NO.: (518) 372-0080	JOB: GENERAL CATALOG DRAWING