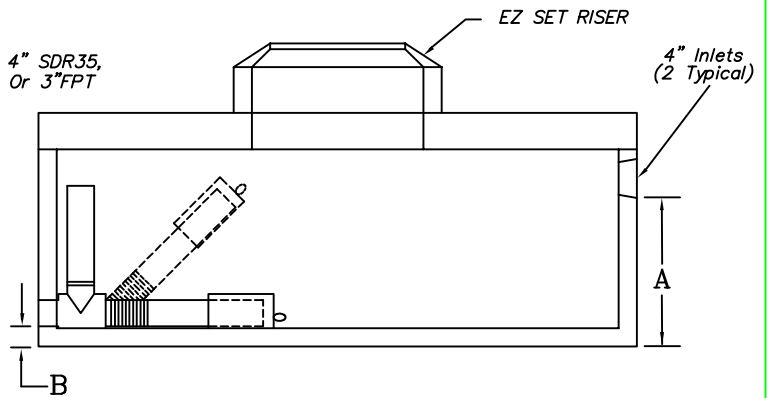


Outlet: 4" SDR35,
SCH40, Or 3" FPT



MODEL	A	B	C	D
GF120	26.5"	3 1/2"	44 1/2"	65"
GF135	26.5"	3 1/2"	44 1/2"	65"
GF160	31"	3 1/2"	44 1/2"	65"
GF180	31"	3 1/2"	44 1/2"	65"

SPECIFICATIONS:

- Concrete: 4000 psi @ 28 days
- Reinforcement: ASTM A615-Grade 60
- Entrained Air: 5-9%
- Fiber rein: Forta Ferro macrofiber
- Manufactured to meet or exceed H2O loading

* LARGER DOSE VOLUMES AVAILABLE BY
SPECIAL ORDER

*DUAL & ALTERNATING FLOUTS AVAILABLE

**SINGLE COMPARTMENT
FLOUT TANK
WITH FLOATING OUTLET**

SCALE: NOT TO SCALE DATE: MARCH 19, 2007
TELEPHONE NO.: (518) 372-0080 JOB: GENERAL CATALOG DRAWING

**GUARDIAN CONCRETE
PRODUCTS INC.**
2140 Maxon Rd.
Schenectady, NY 12308
Fax (518) 372-6729